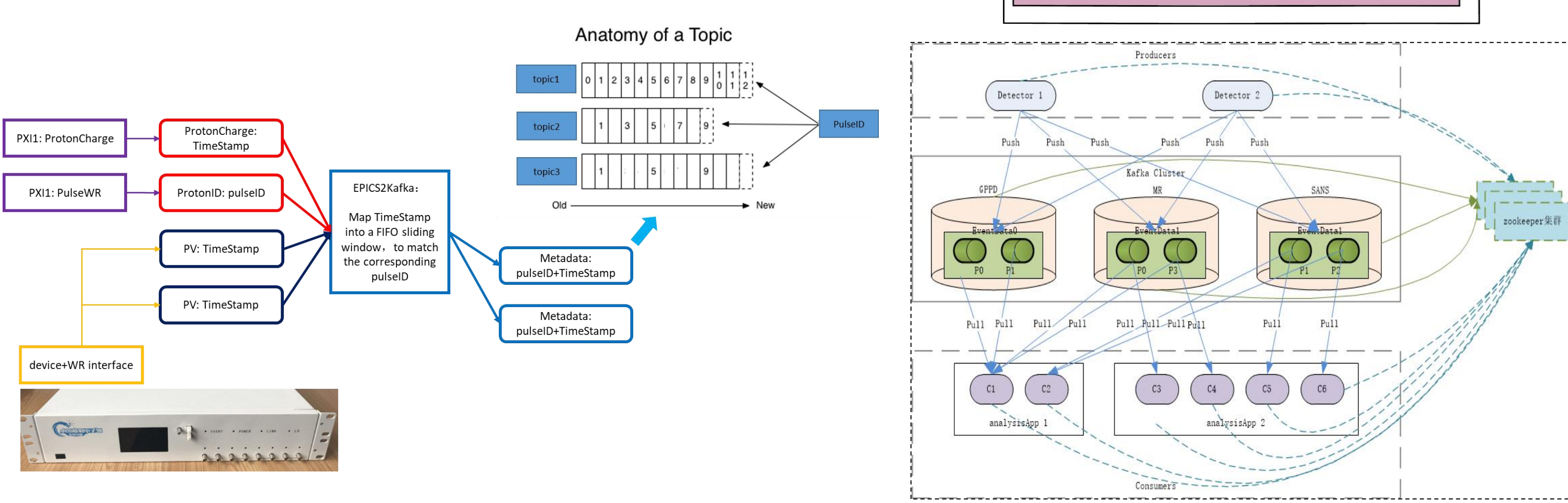
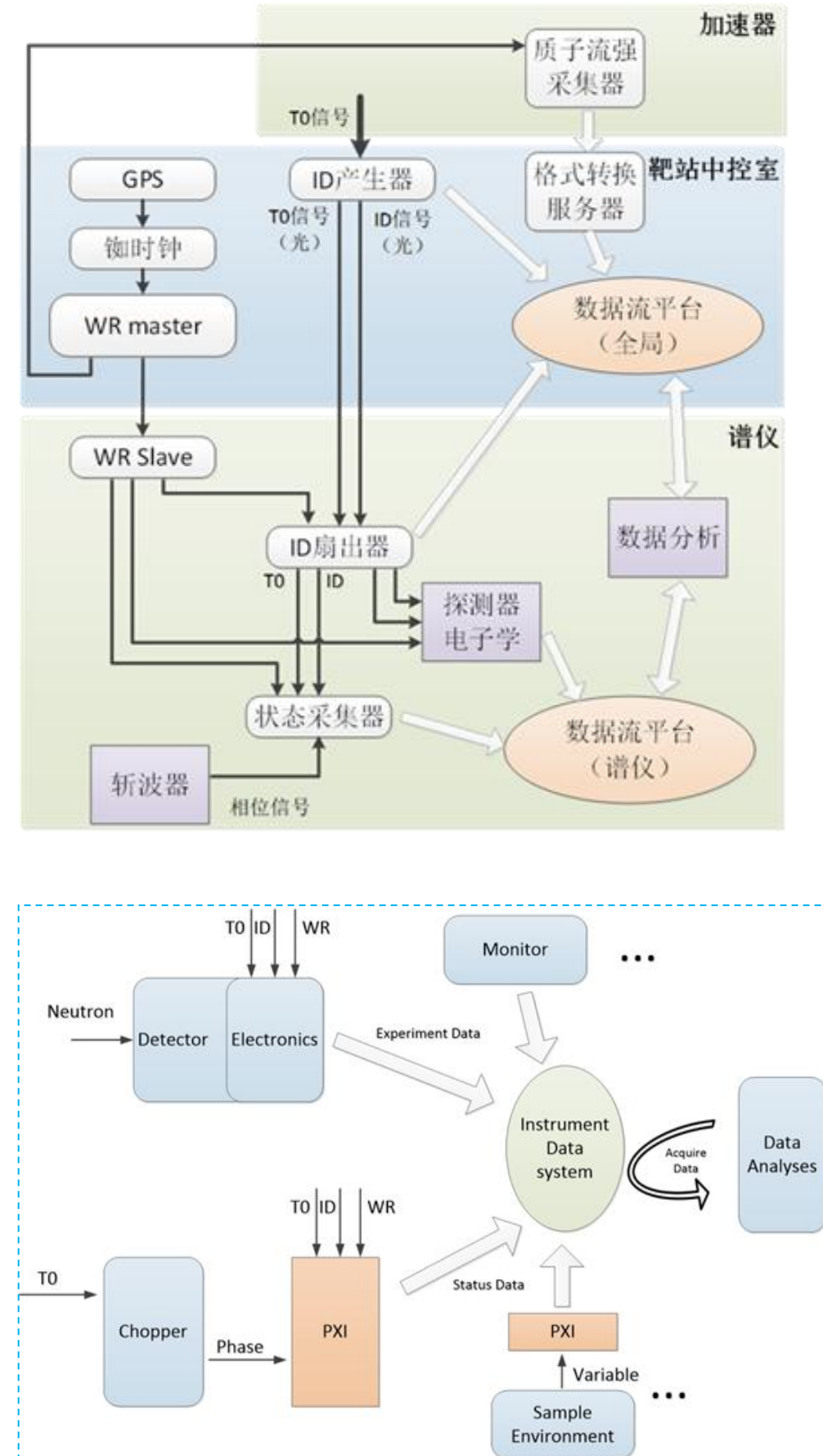
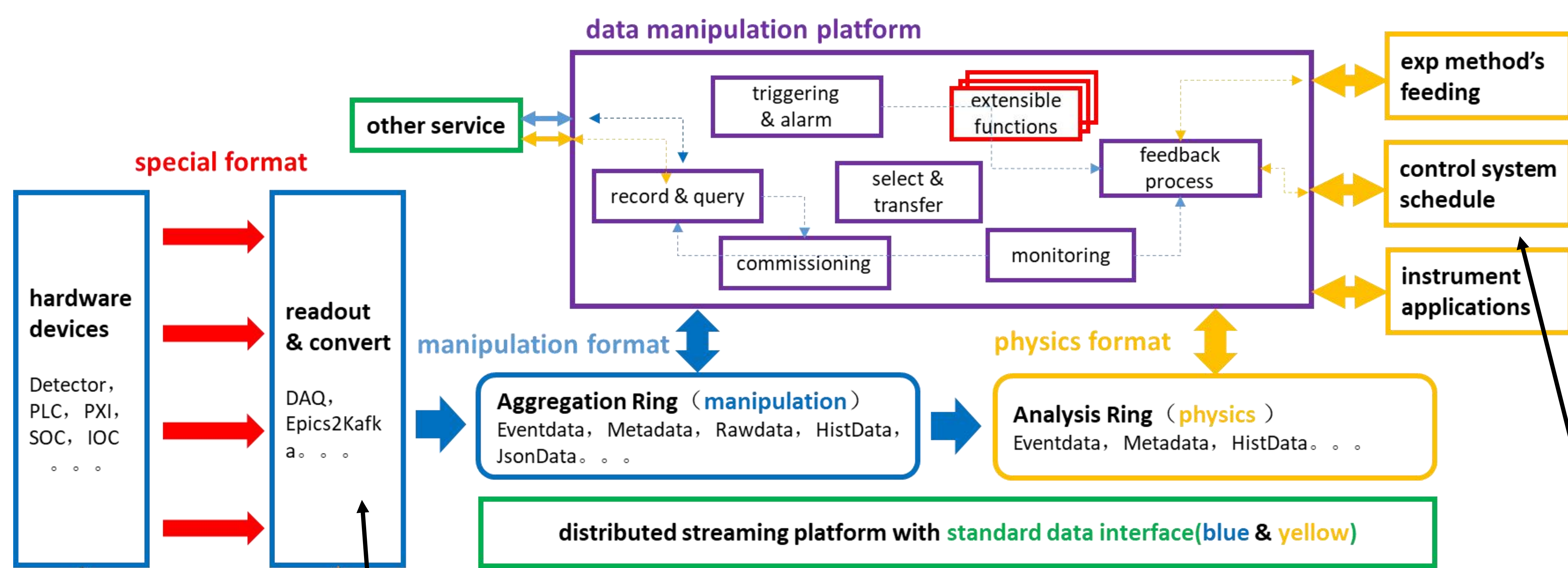
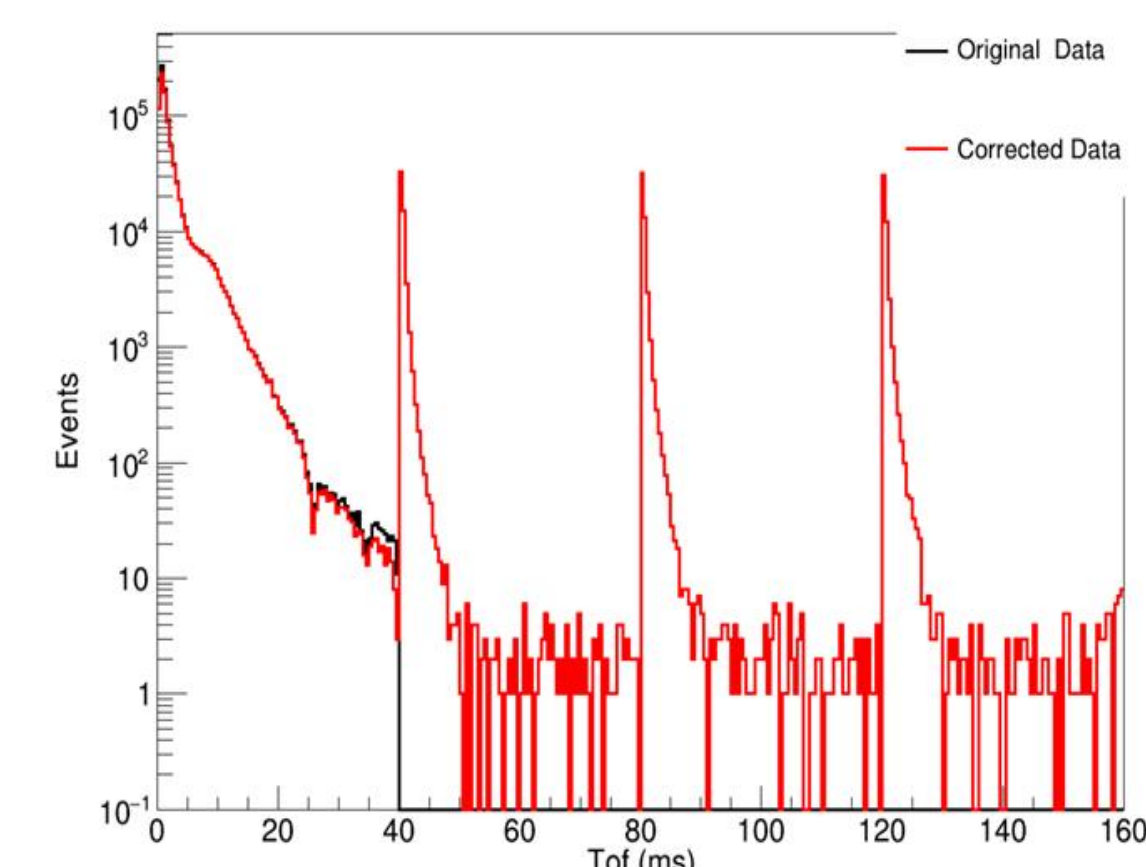
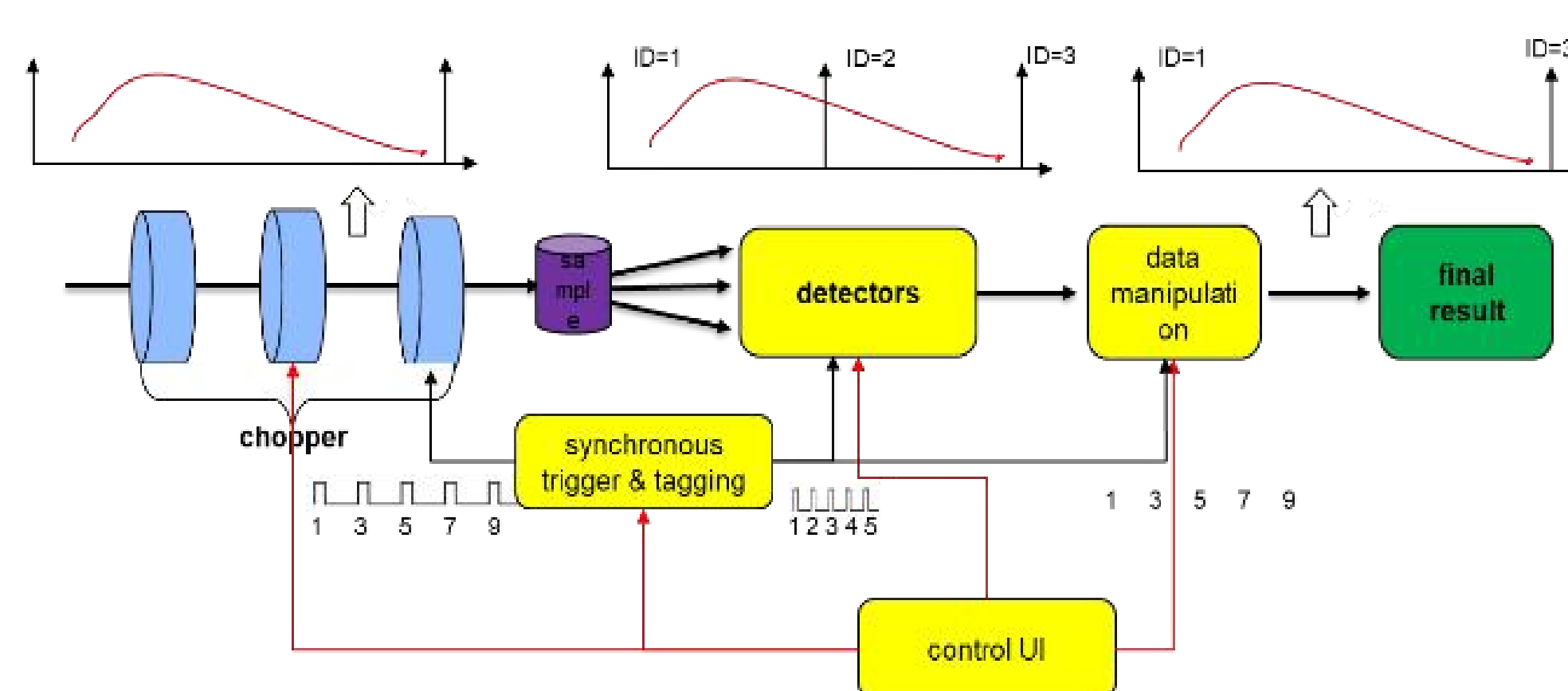
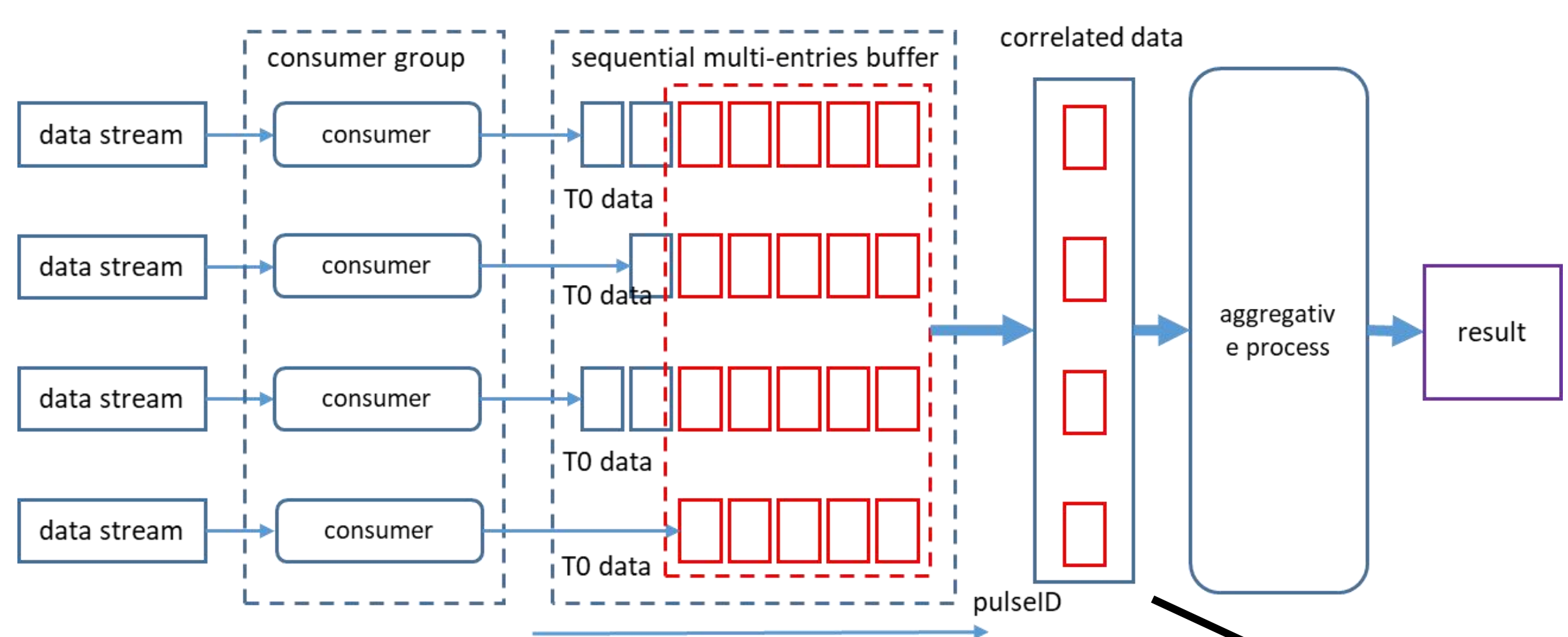
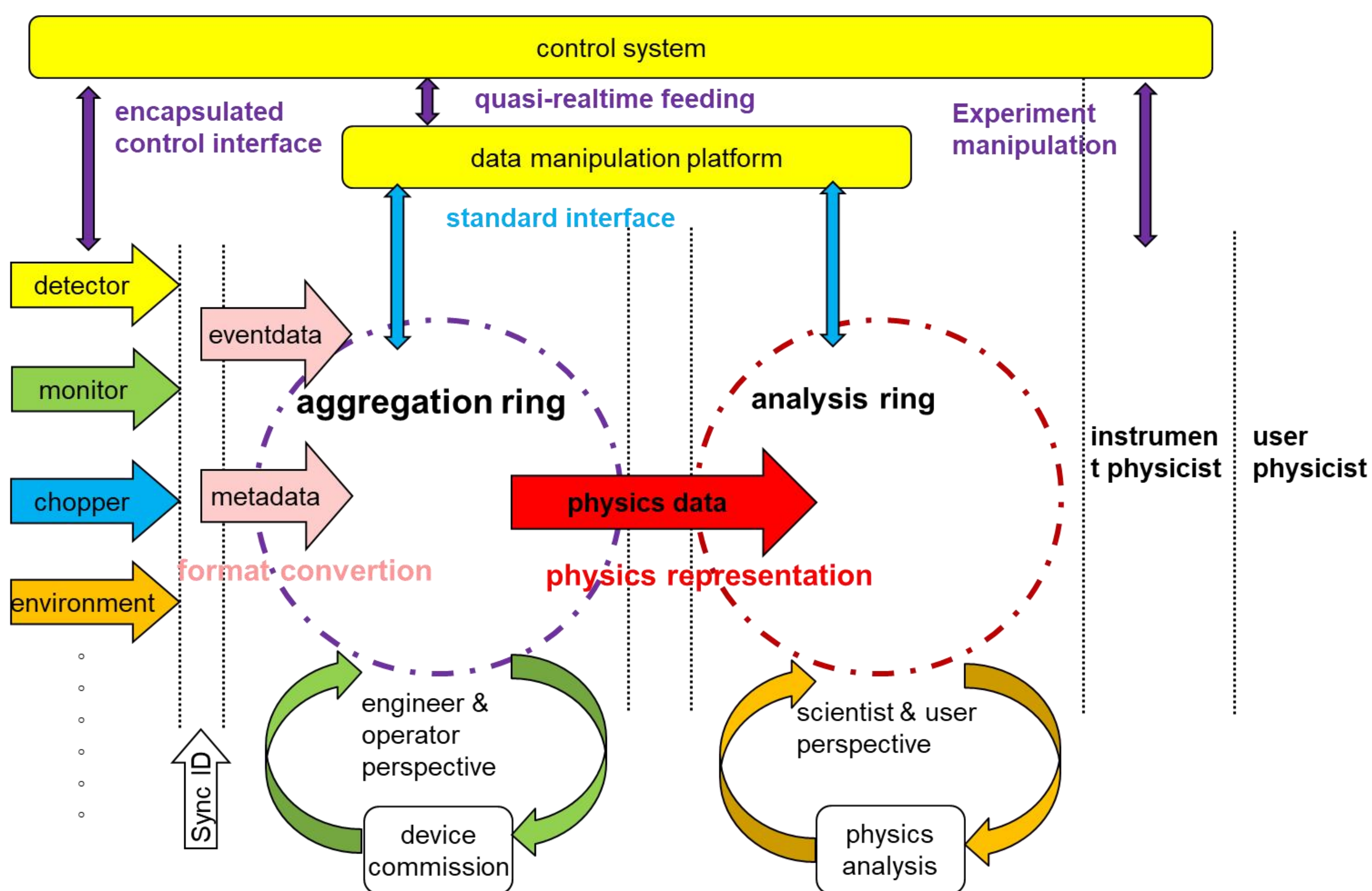
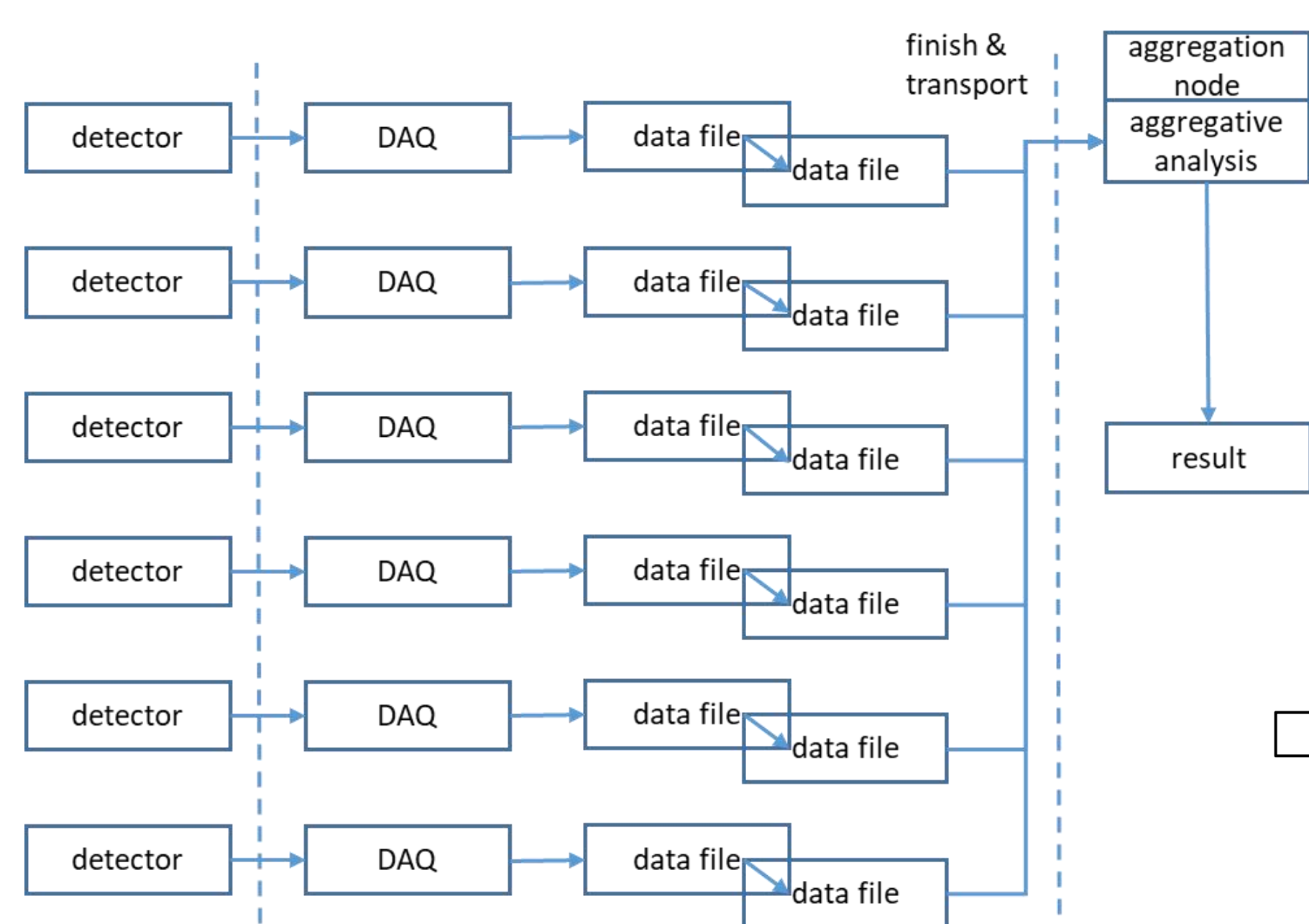


A Generic and Efficient Aggregation Method within Neutron Spectrometer Data Process Framework Based on The Synchronous Trigger and Tagging System in the collaboration of DSNi Cooperation Group



Experiment Control

信息显示: Run, Proton Charge, Beam Time, Neutron Counts...

全局板块页签: Page 1 | Page 2 | ... | Page n

Experiment

Slit

Chopper

Device n

Acc Info

进度显示 Start Stop Abort

数据可视化板块

质子流强曲线、Monitor位置分布、计数率曲线...

实验信息填报:

Description: Experiment for sample Si

User ID: 2022

Proposal ID: 2022

Measurement type: direct

RunNo	Slit	Charge	Current	BeamTime	BeamTime	Proposed	Proposed	Time	Received	PageNo	PageNo
1191	-0.18	0	15	0.3	0.3	200000	0				
1192	-0.18	0	15	0.3	0.3	200000	0				
1193	-0.18	-0.4	-0.68	0.7	0.4	100000	0				
1194	-0.192	1.4	0.80	0.7	0.4	400000	0				
1195	0.18	0	0.00	0.4	0.4	400000	0				

状态信息